

Installation Note

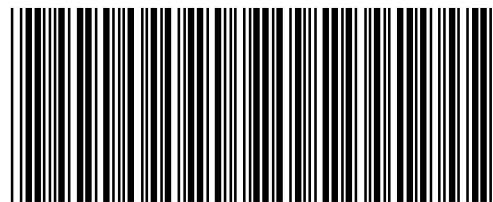
Add Configurable Test Set Upgrade Kit

To Upgrade PNA N5224A or N5225A Option 200 to Option 201

Upgrade Kit Order Numbers: N5224AU-201 or N5225AU-201



Agilent Kit Number: N5225-60101
Agilent Document Number: N5225-90101
Printed in USA December 19, 2011
Supersedes: December 9, 2011
© Agilent Technologies, Inc. 2011



N5225-90101

WARRANTY STATEMENT

THE MATERIAL CONTAINED IN THIS DOCUMENT IS PROVIDED "AS IS," AND IS SUBJECT TO BEING CHANGED, WITHOUT NOTICE, IN FUTURE EDITIONS. FURTHER, TO THE MAXIMUM EXTENT PERMITTED BY APPLICABLE LAW, AGILENT DISCLAIMS ALL WARRANTIES, EITHER EXPRESS OR IMPLIED WITH REGARD TO THIS MANUAL AND ANY INFORMATION CONTAINED HEREIN, INCLUDING BUT NOT LIMITED TO THE IMPLIED WARRANTIES OF MERCHANTABILITY AND FITNESS FOR A PARTICULAR PURPOSE. AGILENT SHALL NOT BE LIABLE FOR ERRORS OR FOR INCIDENTAL OR CONSEQUENTIAL DAMAGES IN CONNECTION WITH THE FURNISHING, USE, OR PERFORMANCE OF THIS DOCUMENT OR ANY INFORMATION CONTAINED HEREIN. SHOULD AGILENT AND THE USER HAVE A SEPARATE WRITTEN AGREEMENT WITH WARRANTY TERMS COVERING THE MATERIAL IN THIS DOCUMENT THAT CONFLICT WITH THESE TERMS, THE WARRANTY TERMS IN THE SEPARATE AGREEMENT WILL CONTROL.

DFARS/Restricted Rights Notice

If software is for use in the performance of a U.S. Government prime contract or subcontract, Software is delivered and licensed as "Commercial computer software" as defined in DFAR 252.227-7014 (June 1995), or as a "commercial item" as defined in FAR 2.101(a) or as "Restricted computer software" as defined in FAR 52.227-19 (June 1987) or any equivalent agency regulation or contract clause. Use, duplication or disclosure of Software is subject to Agilent Technologies' standard commercial license terms, and non-DOD Departments and Agencies of the U.S. Government will receive no greater than Restricted Rights as defined in FAR 52.227-19(c)(1-2) (June 1987). U.S. Government users will receive no greater than Limited Rights as defined in FAR 52.227-14 (June 1987) or DFAR 252.227-7015 (b)(2) (November 1995), as applicable in any technical data.

Safety Notes

The following safety notes are used throughout this document. Familiarize yourself with each of these notes and its meaning before performing any of the procedures in this document.

WARNING **Warning denotes a hazard. It calls attention to a procedure which, if not correctly performed or adhered to, could result in injury or loss of life. Do not proceed beyond a warning note until the indicated conditions are fully understood and met.**

CAUTION Caution denotes a hazard. It calls attention to a procedure that, if not correctly performed or adhered to, could result in damage to or destruction of the instrument. Do not proceed beyond a caution note until the indicated conditions are fully understood and met.

Description of the Upgrade

This upgrade adds the following items to your N5224A Option 200 or N5225A Option 200 network analyzer:

- a reference mixer switch
- front panel jumpers
- front panel overlay replacement
- new cables

After installation of this upgrade, your analyzer will be an N5224A Option 201 or N5225A Option 201.

Getting Assistance from Agilent

By internet, phone, or fax, get assistance with all your test and measurement needs.

Contacting Agilent

Assistance with test and measurements needs and information on finding a local Agilent office are available on the Web at:

<http://www.agilent.com/find/assist>

If you do not have access to the Internet, please contact your Agilent field engineer.

NOTE In any correspondence or telephone conversation, refer to the Agilent product by its model number and full serial number. With this information, the Agilent representative can determine whether your product is still within its warranty period.

Getting Prepared

CAUTION The PNA contains extremely sensitive components that can be ruined if mishandled. Follow instructions carefully when making cable connections, especially wire harness connections.

The person performing the work accepts responsibility for the full cost of the repair or replacement of damaged components.

To successfully install this upgrade kit, you will need the following:

- A license key - refer to “[License Key Redemption](#)” below.
- A PDF copy or a paper copy of the PNA Service Guide - refer to “[Downloading the Online PNA Service Guide](#)” below.
- An ESD-safe work area - refer to “[Protecting Your Workspace from Electrostatic Discharge](#)” below.
- Correct tools - refer to “[Tools Required for the Installation](#)” on page 6.
- Enough time - refer to “[About Installing the Upgrade](#)” on page 6.
- Test equipment for the post-upgrade adjustments and full instrument calibration. To view the equipment list, click the Chapter 3 bookmark “[Tests and Adjustments](#)” in the PDF Service Guide¹.

License Key Redemption

NOTE The enclosed Option Entitlement Certificate is a receipt, verifying that you have purchased a licensed option for the PNA of your choice. You must now use an Agilent Web page to request a license key for the instrument that will receive the option.

To enable the option product, you must request a license key from: <http://www.agilent.com/find/softwarelicense>. To complete the request, you will need to gather the following information:

- From the certificate
 - Order number
 - Certificate number
- From your instrument
 - Model number
 - Serial number
 - Host ID

The instrument information is available on the network analyzer – on the analyzer’s **Help** menu, click **About Network Analyzer**.

If you provide an email address, Agilent will promptly email your license key. Otherwise, you will receive your license key via postal mail.

1. See “[Downloading the Online PNA Service Guide](#)” on page 5.

Downloading the Online PNA Service Guide

To view the online Service Guide for your PNA model number, use the following steps:

1. Go to www.agilent.com.
2. In the Search box, enter the model number of the analyzer (Ex: N5242A) and click **Search**.
3. Click [Technical Support > Manuals](#).
4. Click [Service Manual](#).
5. Click the service guide title to download the PDF file.
6. When the PDF of the Service Guide is displayed, scroll through the Contents section bookmarks to locate the information needed.

Protecting Your Workspace from Electrostatic Discharge

For information, click on the Chapter 1 bookmark, “Electrostatic Discharge Protection” in the PDF Service Guide¹.

ESD Equipment Required for the Installation

Description	Agilent Part Number
ESD grounding wrist strap	9300-1367
5-ft grounding cord for wrist strap	9300-0980
2 x 4 ft conductive table mat and 15-ft grounding wire	9300-0797
ESD heel strap (for use with conductive floors)	9300-1308

1. See “[Downloading the Online PNA Service Guide](#)” on page 5.

Tools Required for the Installation

Description	Qty	Part Number
T-10 TORX driver - set to 9 in-lbs (1.02 N.m)	1	N/A
T-20 TORX driver - set to 21 in-lbs (2.38 N.m)	1	N/A
5/16-in (8 mm) nutsetter or open end torque wrench - set to 10 in-lbs (1.13 N.m)	1	N/A

CAUTION Use a 5/16-in torque wrench set to 10 in-lbs on all cable connections.

About Installing the Upgrade

Products affected	N5224A and N5225A Option 200
Installation to be performed by	Agilent service center or personnel qualified by Agilent
Estimated installation time	2 hours
Estimated adjustment time	0.5 hour
Estimated full instrument calibration time	4.5 hours

Items Included in the Upgrade Kit¹

Check the contents of your kit against the following list. If any part is missing or damaged, contact Agilent Technologies. Refer to [“Getting Assistance from Agilent”](#) on page 3.

Table 1 Contents of Upgrade Kit N5225-60101

Ref Desig.	Description	Qty	Part Number
--	Installation note (this document)	1	N5225-90101
A37	Reference mixer switch	1	5087-7759
--	Test set front plate	1	N5224-00004
--	Bracket (for A37 reference mixer switch)	1	N5245-00024
--	Machine screw, M3 x 8, pan head (2 to attach bracket to reference mixer switch; 2 to attach reference mixer switch assembly to deck)	5	0515-0372
--	Cable clamp	13	1400-1334
--	Cable guards	2	N5242-00029
--	Front panel overlay	1	N5227-80009
W19	RF cable, A29 port 1 receiver coupler to front-panel Port 1 SOURCE OUT	1	N5245-20039
W20	RF cable, port 1 CPLR THRU to A33 port 1 coupler	1	N5245-20045
W21	RF cable, A29 port 1 receiver coupler to A37 reference mixer switch	1	N5245-20120
W22	RF cable, A33 port 1 coupler to front-panel Port 1 CPLR ARM	1	N5245-20025
W31	RF cable, A32 port 2 receiver coupler to front-panel port 2 SOURCE OUT	1	N5245-20040
W32	RF cable, port 2 CPLR THRU to A36 port 2 coupler	1	N5245-20106
W34	RF cable, A36 port 2 coupler to front-panel port 2 CPLR ARM	1	N5245-20024
W35	RF cable, A32 port 2 receiver coupler to front-panel REF 2 SOURCE OUT	1	N5245-20121
W36	RF cable, Front panel jumper	6	N5245-20155
W37	RF cable, port 1 RCVR A IN to A27 mixer brick (A)	1	N5245-20041
W40	RF cable, port 2 RCVR B IN to A27 mixer brick (B)	1	N5245-20042
W41	RF cable, A37 reference mixer switch to front-panel REF 1 SOURCE OUT	1	N5245-20006
W42	RF cable, REF 1 RCVR R1 IN to A37 reference mixer switch	1	N5245-20007
W43	RF cable, A37 reference mixer switch to A27 mixer brick (R1)	1	N5245-20009
W46	RF cable, REF 2 RCVR R2 IN to A27 mixer brick (R2)	1	N5245-20011
--	Ribbon cable, A23 test set motherboard J554 to A37 reference mixer switch	1	8121-0966

1. In addition to the upgrade kit, the shipment includes an Option Entitlement Certificate. Refer to [“License Key Redemption”](#) on page 4 for important information about this certificate.

NOTE

Extra quantities of items such as protective plastic caps, screws, cable ties, and cable clamps may be included in this upgrade kit. It is normal for some of these items to remain unused after the upgrade is completed.

Installation Procedure for the Upgrade

The network analyzer must be in proper working condition prior to installing this option. Any necessary repairs must be made before proceeding with this installation.

WARNING This installation requires the removal of the analyzer's protective outer covers. The analyzer must be powered down and disconnected from the mains supply before performing this procedure.

Overview of the Installation Procedure

- Step 1. Obtain a Keyword and Verify the Information.
- Step 2. Remove the Outer Cover.
- Step 3. Remove the Front Panel Assembly.
- Step 4. Remove the Test Set Front Plate Assembly From the Test Set Deck.
- Step 5. Move the LED Boards and Couplers to the New Test Set Front Plate.
- Step 6. Install New Test Set Front Plate Assembly to Test Set Deck.
- Step 7. Remove Some Bottom-Side (Test Set) Cables.
- Step 8. Remove a 3 dB Pad.
- Step 9. Assemble the A37 Reference Mixer Switch Assembly.
- Step 10. Install the A37 Reference Mixer Switch Assembly.
- Step 11. Install Some Bottom-Side (Test Set) Cables.
- Step 12. Remove the Old Lower Front Panel Overlay.
- Step 13. Reinstall Front Panel Assembly.
- Step 14. Install the New Lower Front Panel Overlay.
- Step 15. Install Front Panel Jumpers.
- Step 16. Reinstall the Outer Cover.
- Step 17. Enable Option 201.
- Step 18. Perform Post-Upgrade Adjustments and Calibration.
- Step 19. Prepare the PNA for the User.

Step 1. Obtain a Keyword and Verify the Information

Follow the instructions on the Option Entitlement Certificate supplied to obtain a license key for installation of this upgrade. Refer to [“License Key Redemption” on page 4](#).

Verify that the model number, serial number, and option number information on the license key match those of the instrument on which this upgrade will be installed.

If the model number, serial number, or option number do not match those on your license key, you will not be able to install the option. If this is the case, contact Agilent for assistance before beginning the installation of this upgrade. Refer to [“Contacting Agilent” on page 3](#).

Once the license key has been received and the information verified, you can proceed with the installation at step 2.

Step 2. Remove the Outer Cover

For instructions, click the Chapter 7 bookmark “Removing the Covers” in the PDF Service Guide¹.

Step 3. Remove the Front Panel Assembly

For instructions, click the Chapter 7 bookmark “Removing and Replacing the Front Panel Assembly” in the PDF Service Guide¹.

Step 4. Remove the Test Set Front Plate Assembly From the Test Set Deck

Refer to [Figure 2 on page 12](#) to see the screws that must be removed. Keep the screws for reuse later.

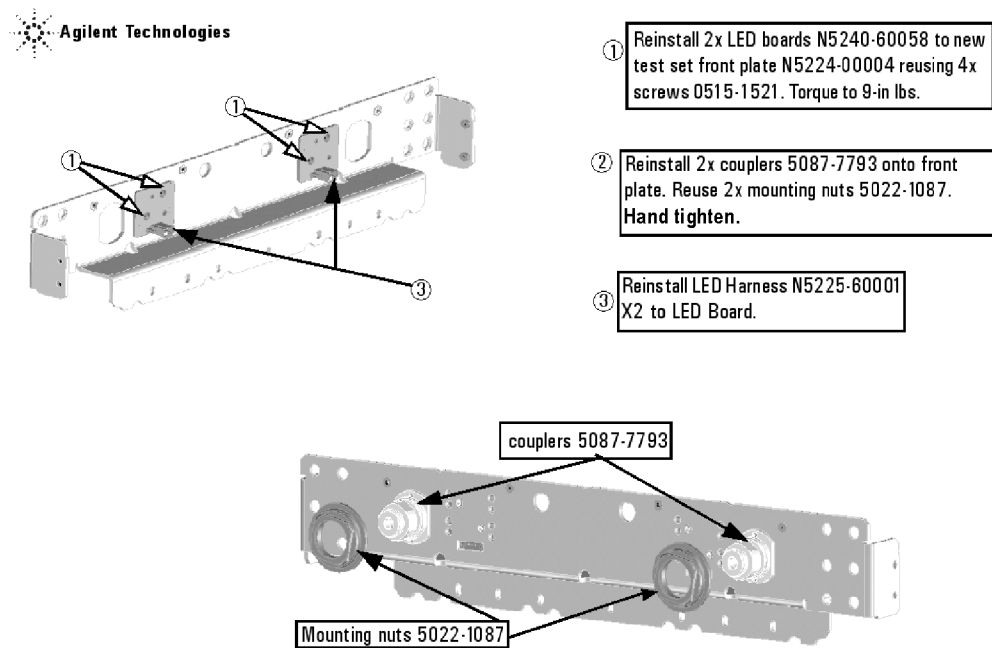
1. See [“Downloading the Online PNA Service Guide” on page 5](#).

Step 5. Move the LED Boards and Couplers to the New Test Set Front Plate

Move the LED boards, test port couplers and their mounting nuts to the new test set front plate (part number N5224-00004).

Refer to [Figure 1](#) for this step of the procedure. New parts are listed in [Table 1](#) on page 7.

Figure 1 Test Set Front Plate Assembly



N5225_101_05

Step 6. Install New Test Set Front Plate Assembly to Test Set Deck

Refer to [Figure 2](#) for this step of the procedure. New parts are listed in [Table 1 on page 7](#).

Figure 2 Test Set Front Plate Assembly Installation



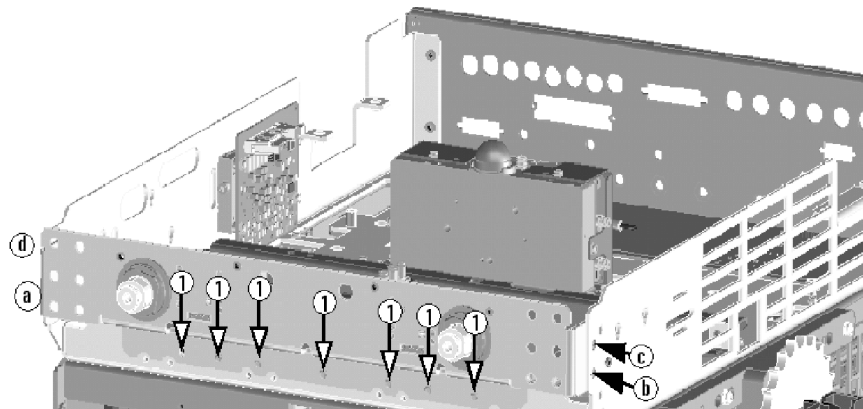
Agilent Technologies

- ① Install new test set front plate assy to deck.
Reinstall 7 x screws 0515-0372x **Do not torque.**

- ② Reinstall 4 x screws 051 5-1227. Torque to 9 in-lbs. Alternate sides in torque sequence, as indicated by circled letters "a" through "d".

- ③ Torque the 7 x screws in step 1 to 9 in-lbs.

- ④ Torque 2X coupler mounting nuts to 72 in-lbs.



N5225_101_06

Step 7. Remove Some Bottom-Side (Test Set) Cables

CAUTION Be careful not to damage the center pins of the semirigid cables. Some flexing of the cables may be necessary but do not over-bend them.

1. Place the analyzer bottom-side up on a flat surface.
2. Remove the following cables. To see an image showing the location of these cables, click the Chapter 6 bookmark "Bottom RF Cables, Standard 2-Port Configuration, Option 200" in the PDF Service Guide¹.

These cables may be discarded - they will not be reinstalled.

- W107 (N5224-20005) A29 port 1 receiver coupler to A27 mixer brick (R1)/3-dB pad
- W110 (N5224-20006) A32 port 2 receiver coupler to A27 mixer brick (R2)
- W111 (N5224-20012) A29 port 1 receiver coupler to A33 port 1 coupler
- W114 (N5224-20011) A32 port 2 receiver coupler to A36 port 2 coupler
- W115 (N5224-20010) A33 port 1 coupler to A27 mixer brick (A)
- W118 (N5224-20009) A36 port 2 coupler to A27 mixer brick (B)

These cables must be saved - they will be reinstalled.

- W12 (N5245-20109) A29 port 1 receiver coupler to W11
- W18 (N5245-20111) A32 port 2 receiver coupler to W17

Step 8. Remove a 3 dB Pad

Remove and discard the 3 dB pad connected to A27 mixer brick port R1.

1. See "Downloading the Online PNA Service Guide" on page 5.

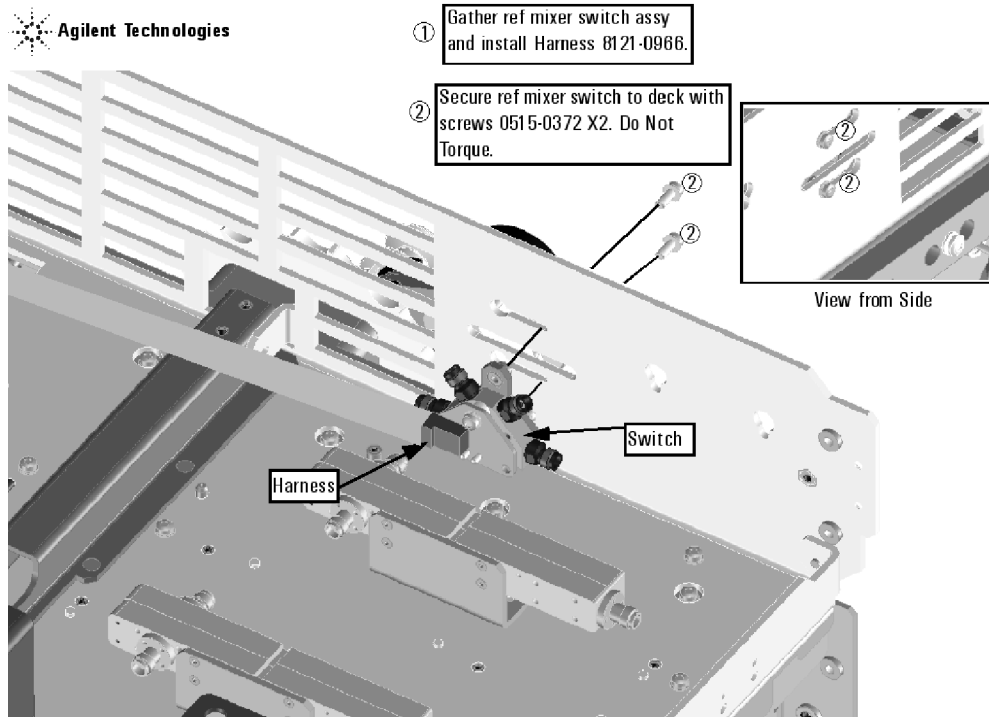
Step 9. Assemble the A37 Reference Mixer Switch Assembly

Mount the bracket (N5245-00024) to the reference mixer switch (5087-7759) using two screws (0515-0372). Use a T-10 TORX driver to tighten the screws. New parts are listed in [Table 1 on page 7](#).

Step 10. Install the A37 Reference Mixer Switch Assembly

Refer to [Figure 3](#) for this step of the procedure. New parts are listed in [Table 1 on page 7](#). Use a T-10 TORX driver to tighten all screws.

Figure 3 Reference Mixer Switch Assembly



N5225_105_01

Step 11. Install Some Bottom-Side (Test Set) Cables

CAUTION Follow instructions carefully when making cable connections, especially wire harness connections. Incorrect connections can destroy components, resulting in additional customer costs.

Install the Semirigid Cables

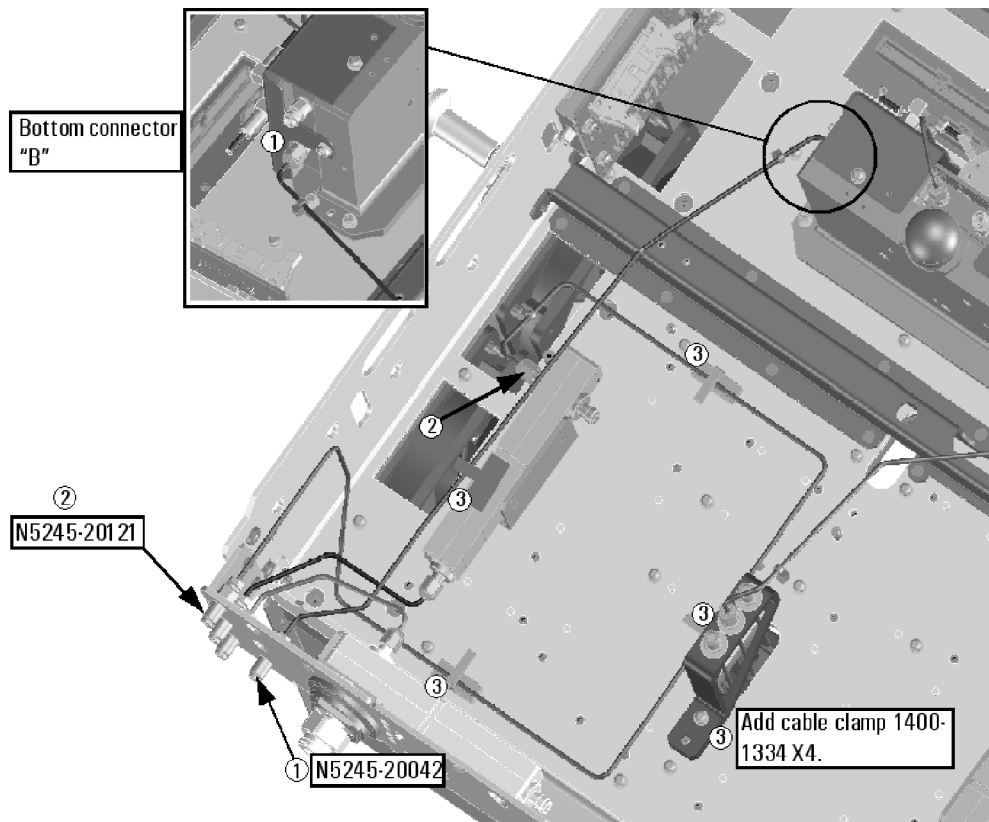
To see an image showing the location of these cables, click the Chapter 6 bookmarks “Bottom RF Cables, 2-Port Configuration, Option 201” in the PDF Service Guide¹. New parts are listed in [Table 1 on page 7](#).

Install the following new cables in the order listed.

- W40 (N5245-20042) Port 2 RCVR B IN to A27 mixer brick (B)

* As shown in [Figure 4 on page 15](#), install one cable clamp (part number 1400-1334) to secure W40 (part number N5245-20042). Later, as shown in the graphic, three more cable clamps will be installed to secure W35 (part number N5245-20121).

Figure 4 Location of Cable Clamp to Secure W40



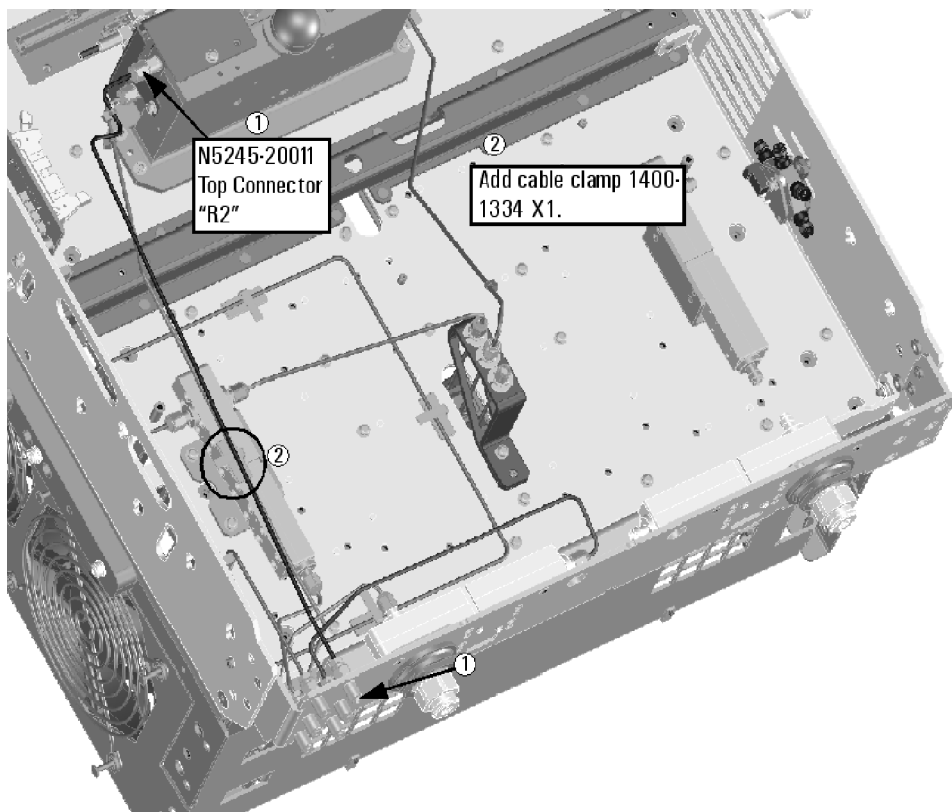
N5225_101_02

- W34 (N5245-20024) A36 port 2 coupler to front-panel port 2 CPLR ARM

1. See “[Downloading the Online PNA Service Guide](#)” on page 5.

- W31 (N5245-20040) A32 port 2 receiver coupler to front-panel port 2 SOURCE OUT
- W35 (N5245-20121) A32 port 2 receiver coupler to front-panel REF 2 SOURCE OUT
 - * As shown in [Figure 4 on page 15](#), install three cable clamps (part number 1400-1334) to secure W35 (part number N5245-20121).
- W32 (N5245-20106) Port 2 CPLR THRU to A36 port 2 coupler
- W18 (reuse) (N5245-20111) A32 port 2 receiver coupler to W17
- W46 (N5245-20011) REF 2 RCVR R2 IN to A27 mixer brick (R2)
 - * As shown in [Figure 5 on page 16](#), install one cable clamp (part number 1400-1334) to secure W46 (part number N5245-20011).

Figure 5 Location of Cable Clamp to Secure W46

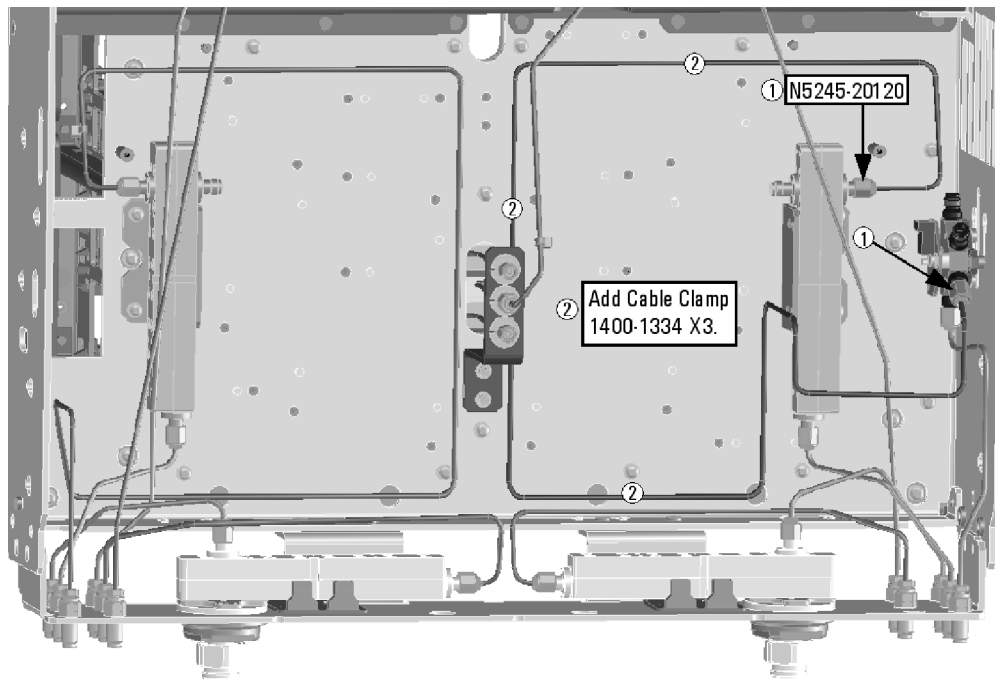


N5225_101_03

- W37 (N5245-20041) Port 1 RCVR A IN to A27 mixer brick (A)
- W22 (N5245-20025) A33 port 1 coupler to front-panel REF 1 CPLR ARM
- W20 (N5245-20045) Port 1 CPLR THRU to A33 port 1 coupler
- W19 (N5245-20039) A29 port 1 receiver coupler to front-panel Port 1 SOURCE OUT
- W42 (N5245-20007) REF 1 RCVR R1 IN to A37 reference mixer switch
- W21 (N5245-20120) A29 port 1 receiver coupler to A37 reference mixer switch

* As shown in [Figure 6 on page 17](#), install three cable clamps (part number 1400-1334) to secure W21 (part number N5245-20120).

Figure 6 **Location of Cable Clamps to Secure W21**



N5225_101_02

- W43 (N5245-20009) A37 reference mixer switch to A27 mixer brick (R1)
- W41 (N5245-20006) A37 reference mixer switch to front-panel REF 1 SOURCE OUT

* [Figure 3 on page 14](#) shows two screws that attach the reference mixer switch to the test set deck. At this time, torque these two screws to 9 in-lbs.

- W12 (reuse) (N5245-20109) A29 port 1 receiver coupler to W11

Install the Ribbon Cable

To see an image showing the location of this cable, click the Chapter 6 bookmarks “Bottom Ribbon Cables and Wire Harnesses, 2-Port, Option 201” in the PDF Service Guide¹. New parts are listed in [Table 1 on page 7](#).

If not already done, connect the reference mixer switch ribbon cable (8121-0966) as follows:

- A23 test set motherboard J554 to A37 reference mixer switch

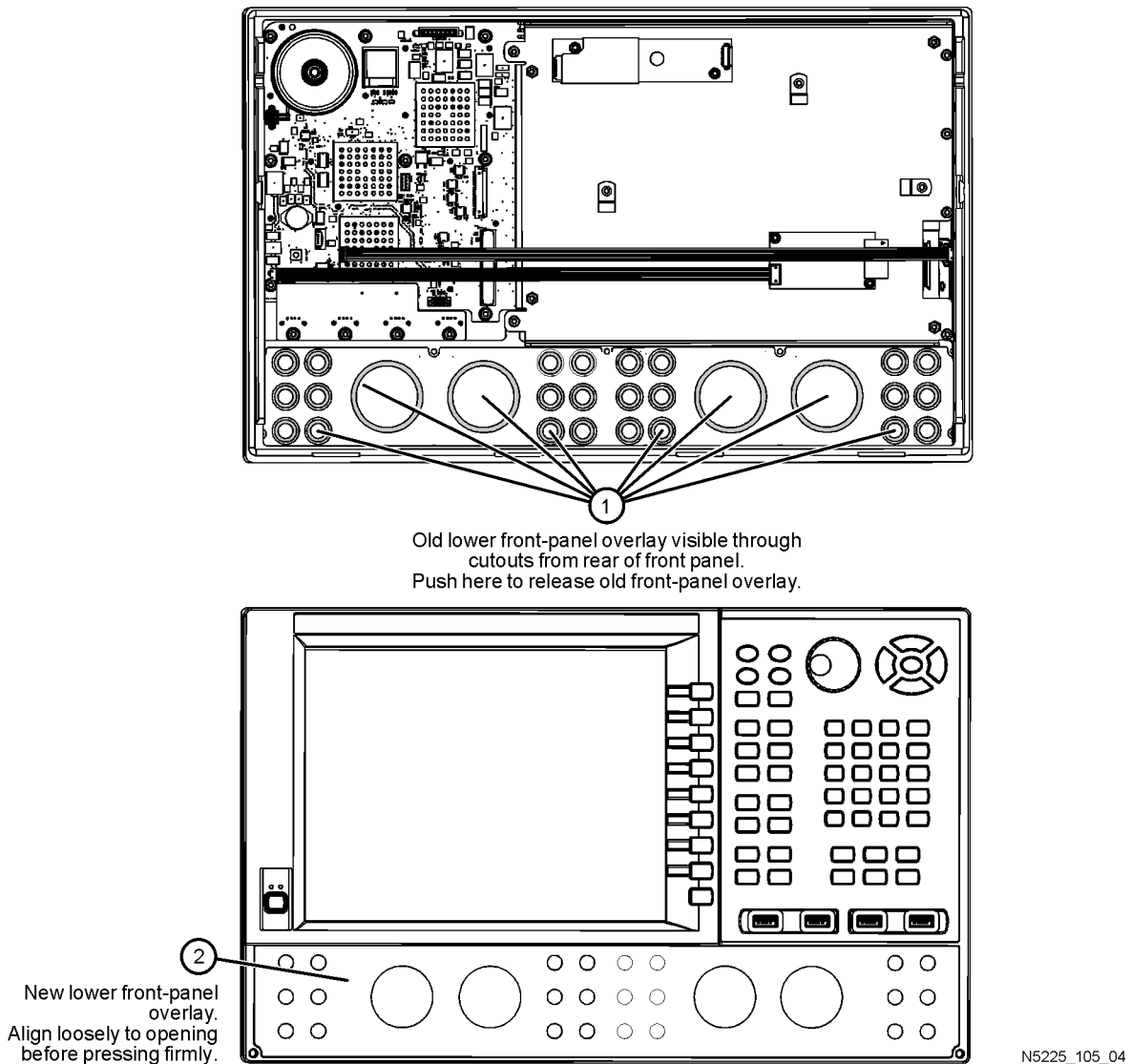
1. See “[Downloading the Online PNA Service Guide](#)” on page 5.

Step 12. Remove the Old Lower Front Panel Overlay

Refer to [Figure 7](#) for this step of the procedure. Although this figure shows a 4-port PNA, the concept is the same for a 2-port PNA. New parts are listed in [Table 1 on page 7](#).

1. From the back side of the front panel, use a blunt object in the cutouts in the lower front dress panel to push on the old overlay (item ①) and separate it from the front dress panel.
2. From the front side of the front panel, pull off the overlay completely and discard it.
3. Remove any adhesive remaining on the front panel.

Figure 7 Lower Front Panel Overlay Replacement



N5225_105_04

Step 13. Reinstall Front Panel Assembly

For instructions on reinstalling the front panel assembly, click the Chapter 7 bookmark “Removing and Replacing the Front Panel Assembly” in the PDF Service Guide¹.

Step 14. Install the New Lower Front Panel Overlay

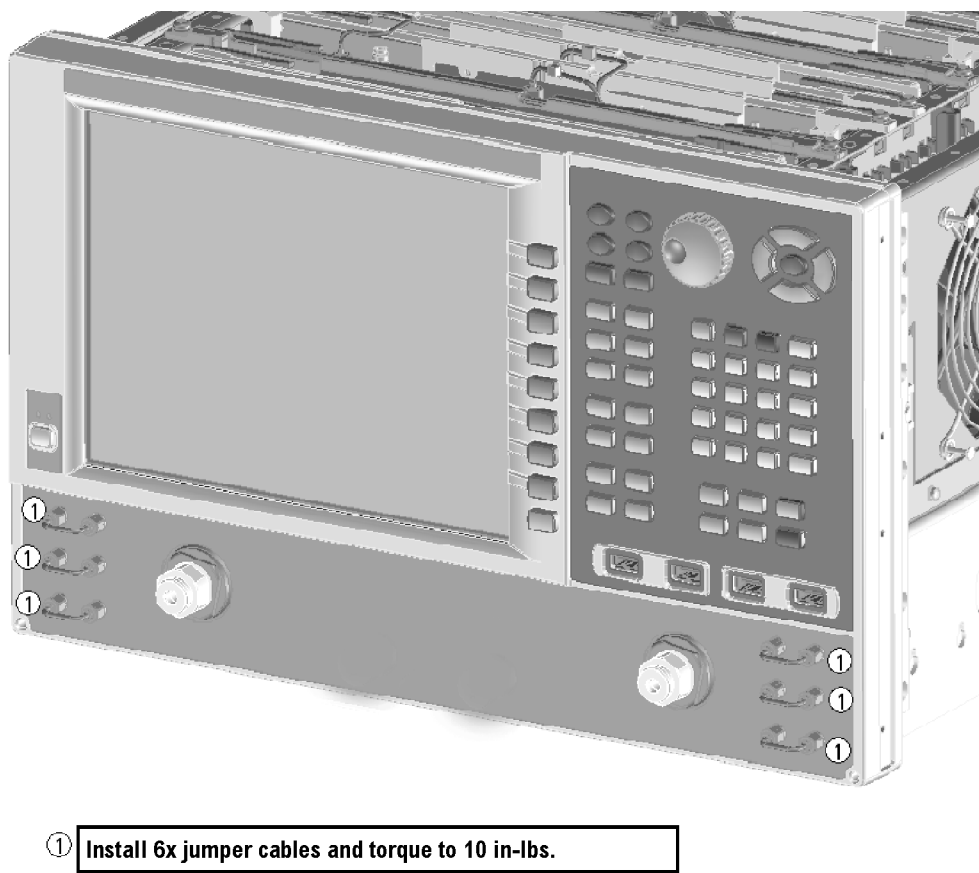
Refer to [Figure 7 on page 18](#) for this step of the procedure. New parts are listed in [Table 1 on page 7](#).

1. Remove the protective backing from the new front panel overlay, N5225-80002 (item ②).
2. Starting from either side, *loosely* place the overlay in the recess on the lower front panel, ensuring that it fits tightly against the edges of the recess.
3. Once the overlay is in place, press it firmly onto the frame to secure it.

Step 15. Install Front Panel Jumpers

As shown in [Figure 8](#), install 6 front panel jumper cables (part number N5245-20155).

Figure 8 Front Panel Jumper Cables Installation



N5225_101_04

1. See “[Downloading the Online PNA Service Guide](#)” on page 5.

Step 16. Reinstall the Outer Cover

For instructions, click the Chapter 7 bookmark “Removing the Covers” in the PDF Service Guide¹.

Step 17. Enable Option 201

Procedure Requirements

- The analyzer must be powered up and operating to perform this procedure.
- The Network Analyzer program must be running.
- A keyboard must be connected to the network analyzer.

Option Enable Procedure

1. To start the option enable utility, press UTILITY **System**, then **Service**, then **Option Enable**. An option enable dialog box will appear.
2. Click the arrow in the **Select Desired Option** box. A list of available options will appear.
3. In the **Select Desired Option** list, click **201 - Configurable Test Set**.
4. Using the keyboard, enter the license key in the box provided. The license key is printed on the the license message you received from Agilent. Enter this key *exactly* as it is printed on the message.
5. Click **Enable**.
6. Click **Yes** in answer to the displayed question in the **Restart Analyzer?** box.
7. When the installation is complete, click **Exit**.

Option Verification Procedure

Once the analyzer has restarted and the Network Analyzer program is again running:

1. On the analyzer’s **Help** menu, click **About Network Analyzer**.
2. Verify that “201” is listed after “Options:” in the display. Click **OK**.

NOTE If Option 201 has not been enabled, perform the “[Option Enable Procedure](#)” again. If the option is still not enabled, contact Agilent Technologies. Refer to “[Getting Assistance from Agilent](#)” on page 3.

Step 18. Perform Post-Upgrade Adjustments and Calibration

Adjustments

The following adjustments must be made due to the hardware changes of the analyzer.

- source adjustment
- receiver adjustment

These adjustments are described in the PNA Service Guide and in the PNA on-line HELP. A list of equipment required to perform these adjustments is also found in the service guide.

To view this service guide information, click the Chapter 3 bookmark “Tests and Adjustments” in the PDF Service Guide¹.

After the specified adjustments have been performed, the analyzer should operate and phase lock over its entire frequency range.

Operator’s Check

Perform the Operator’s Check to check the basic functionality of the analyzer. For instructions, click the Chapter 3 bookmark “Tests and Adjustments” in the PDF Service Guide¹.

If you experience difficulty with the basic functioning of the analyzer, contact Agilent. Refer to [“Contacting Agilent” on page 3](#).

Calibration

Although the analyzer functions, its performance relative to its specifications has not been verified. It is recommended that a full instrument calibration be performed using the analyzer’s internal performance test software. To view information on the performance test software, click the Chapter 3 bookmark “Tests and Adjustments” in the PDF Service Guide¹.

Step 19. Prepare the PNA for the User

1. If necessary, reinstall front jumper cables.
2. Install the cable guards, pushing them over the front jumper cables until the cushioning material touches the front panel of the PNA.
3. Install the dust caps on the test ports.
4. Clean the analyzer, as needed, using a damp cloth.

1. See [“Downloading the Online PNA Service Guide” on page 5](#).

